



www.denracle.com

Green DenTech Co., Ltd.

2F No. 17 DeYuanPi Blvd. LiouYing Dist., Tainan City, Taiwan 73659

TEL/ +886-6-6230999 FAX/ +886-6-6230789 E-MAIL/ sales@denracle.com

DENRACLE®



We are **Precision**, We are **Partners**, We are **Ready**.

Product



ABOUT DENRACLE



Denracle, officially established in 2009, was made by Green Dentech of Taiwan. With more than two-decade experiences and expertise in manufacturing Titanium implant parts, Denracle places great emphasis on quality dental products as well as customized dental solutions.

Denracle precision implant parts now are integrated with CAD/CAM dentistry. A total implant solution is available with competitive price but never compromise on quality.

Certifications



PRODUCTS

Denracle products include three categories.

Digital Solution

Through complete implant library for 3shape and exocad together with Denracle-designed i/o scan jig, Ti base, premilled blanks, and digital analog to offer CAD/CAM users a smooth and seamless workflow.

Precision Implant Solution

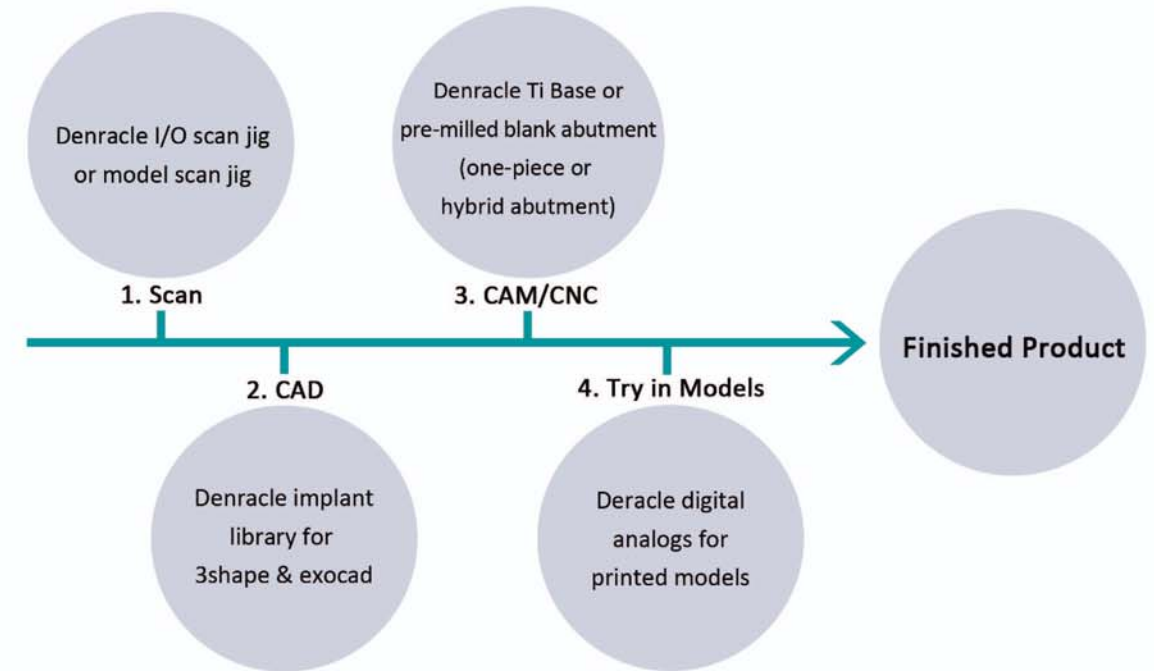
Over a decade of sales, Denracle's most wanted products of esthetic abutments, screws, and analogs.

Lab Tools & Materials

Handy tools and quality raw materials for labs including universal screwdriver set, milling tools, Ti and Peek disks from USA and Europe.

SEAMLESS DIGITAL PROCESS

Digital
Dentistry
Solution



PRODUCTS



Intra-Oral Scan Jig

- Made from medical grade 5 Titanium and PEEK.
- For both intra-oral scan and model scan with encapsulated screw.
- Titanium base with PEEK body for a better scanning result and lasting connection.



Model Scan Jig

- Made of PEEK.
- Anti-reflexive.



Ti Base

- Made from medical grade 5 Titanium.
- Two-piece abutment solution Engage and non-engage design for both single and multi-units.
- Available in 4mm and 7mm.



Blank Abutment

- Made from medical grade 5 Titanium.
- One-piece titanium abutment solution.
- Compatible to VHF, Arum, Imess-icore and more to come.



Digital Analog

- Made of Stainless Steel.
- For both printed and milled model.
- Unique design of the attached pin for a better positioning.



Denracle Implant Library

- For exocad & 3shape.
- Best result with Denracle products.
- New systems added annually.

PRODUCTS



Screw

- Made from medical grade 5 Titanium
- Guarantee of a perfect fit to the original implants and accessories
- TiN coated screws available



Analog

- Made of Stainless Steel
- Identical to branded parts for lab to try-on abutments



Esthetics Abutment

- Made from medical grade 5 Titanium.
- Unique design of different gingiva heights for esthetic reason

MATERIALS



Titanium Disc

Denracle Titanium Discs are the perfect material to use in your CAD/CAM guided milling process. Made of USA Grade 5 Titanium with sufficient strength and biocompatible properties necessary to create the perfect dental structures while still being gentle to your milling tools. A wide range of sizes are available.

PEEK Disc

Denracle PEEK Discs are the perfect non-metal alternative material to use in your CAD/CAM guided milling process. PEEK is the best light-weight and biocompatible material that is strong enough for dental use but remains flexible than its metallic equivalents. Made of German imported PEEK and a variety of sizes are available.



LAB TOOLS

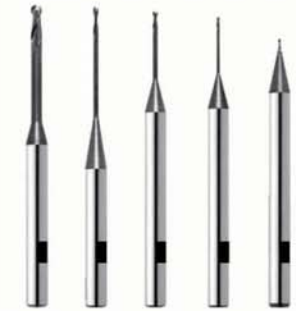


Lab screwdriver

Denracle Lab Screwdriver set includes drivers of eight specifications to compatible with most major implant systems. The unique design for the magnetic connection of the driver and holder enables users to displace each driver smoothly and handy.

Cutting Tools

Made of Germany material, Denracle milling tools have been engineered specifically for use with dental materials such as zirconia, PMMA, Co-Cr, wax and titanium. The radius tolerance is up to $\pm .005$ mm and the diameter tolerance is of $.01$ mm. Various coatings techniques ensure extremely long tool life for both metal and non-metal milling.



Milling Machine	Milling Materials			
	Zro,Acrylic, PMMA,Wax	Co-Cr	Glass Ceramics	Ti Alloy
vhf - OAL40(vhf - S1,S2,K5)	V	V	V	V
vhf - OAL35(vhf - K3,K4)	V	V	V	V
WIELAND - Zenotec	V			
WIELAND - Mini	V			
ROLAND	V			
AMANN GIRRBACH	V			
imes - icore	V	V	V	V
ZIRKONZAHN - M4	V			
CERCON BRAIN EXPERT	V			
SIRONA	V			
ARUM	V	V		V
3M - ESPE	V			
YENADENT	V			

- Denracle milling tools are for the above machines and materials. If your machine is not in the list, please contact us.

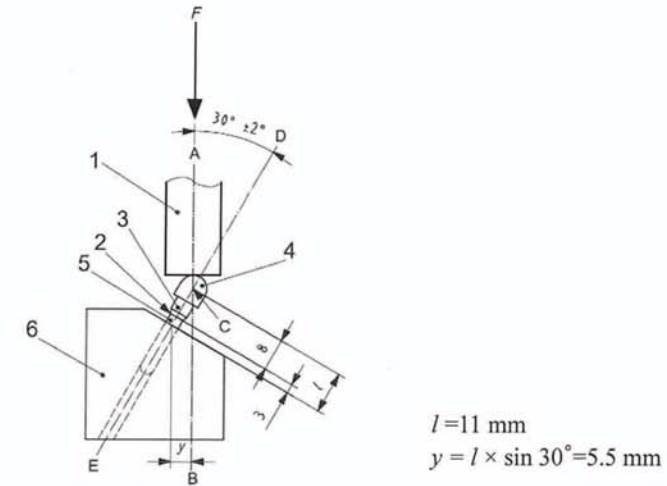
COMPATIBLE CHART

Brand	System	Platform
3i Biomet	Certain	3.4 / 4.1 / 5.0
Anthogyr	Axiom	-
Biohorizons	Internal / External	3.5 / 4.0 / 5.0
BBC	Mytis Arrow	C Type 35
Dentium	Superline	Mini / Regular
Dentsply	AstraTech OsseoSpeed	3.0 / 3.5/4.0 / 4.5/5.0
	AstraTech EV	3.0 / 3.6 / 4.2 / 4.8 / 5.4
	Friadent Xive	3.4 / 3.8 / 4.5 / 5.5
DIO	SM	Mini / Regular
	UF II	4.0
	UF II Narrow	3.0
KEYSTONE	Prima Connex	SD / RD / WD
Megagen	AnyRidge HEX	4.0
	EZ	3.5 / 4.1
	MiNi	3.0
MIS	Seven	NP / SP / WP
Nobel Biocare	Active / Conical	3.0 / NP / SP / WP
	Branemark	NP / SP / WP
	Branemark MUA	NP / SP / WP
	Replace	NP / SP / WP / 6.0
Osstem	TS3	3.5 / 4.0
Straumann	Bone Level	NC / RC
	Tissue Level	NNC / RN / WN
SIC	Invent	3.2 / 4.2
Zimmer	Tapered Screw-Vent	3.5 / 4.5 / 5.7

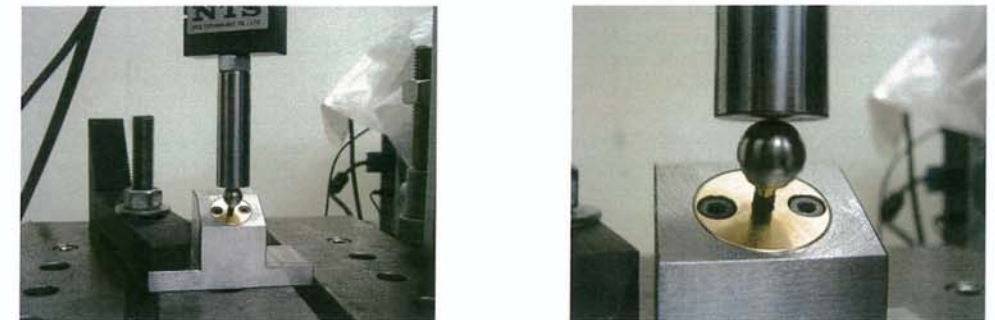
QUALITY ASSURANCE

Denracle products are manufactured under the process conform to GMP & ISO regulations. All products are CE certified. The below images demonstrate the Denracle GO abutments tested for the strength (with implants) under cycling loading.

The test result proves the product is able to endure the load at 5,000,000 cycles without any damage. (Report #: HL90069/2009, Test Institute: SGS Taiwan Ltd.).



■ Figure 1: Schematic of test setup for systems



■ Figure 2: Samples on the test machine

Whenever you choose Denracle, you choose not only a product but a guarantee on quality, precision and a 100% trust-worthy partner.